



*Electric examination couch
SIMPLEX range*

SIMPLEX-2.2

CARINA
Medical



CE

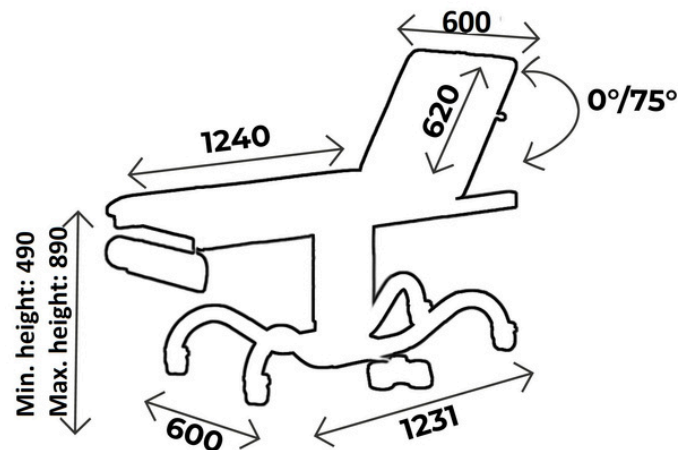
ISO 9001
ISO 13485

TECHNICAL DETAILS

- 2 sections examination couch, width 60cm
- Control: Pedal (hand remote on request)
- Backrest adjustment in every positions with gas jack
- Flat upholstery with good density 24kg/cm², M2 fire retardant class, thickness 6cm
- Equipped with paper roll holder for exam sheet, on the foot side
- Epoxy covering, silver colour

DIMENSIONS

- Width 60cm
- Adjustable height from 49 to 89cm
- Load capacity: 200kg in dynamic



Couch available with wheels
option ACC990-SIMPLEX
Ref: SIMPLEX-.2.2+990



WHAT YOU NEED TO KNOW

- ✓ Delivery time: 15 days upon receipt of order
- ✓ Warranty: 2 years (1 year for the upholstery)

You may also like :

Ref. **SIMPLEX-2.2-700**: Same as SIMPLEX-2.2 but width 70cm

ACCESSORIES



ACC 990-SIMPLEX
Set of 4 wheels with brake
diam 75mm



ACC 538
Pair of clamps diam 14mm for
SIMPLEX range width 60cm



ACC 76C
Unit clamp to fix infusion stand
diam 16mm



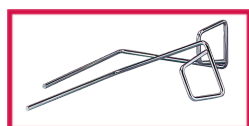
ACC 32012
Stainless steel infusion stand
diam 16mm, 2 plastic hooks
without clamp



ACC 110
Blood test splint in colour
without clamp, the unit



ACC 110POLY
Polyurethane blood test splint
without clamp, the unit



ACC 105
Pair of stainless steel stirrups
diam 14mm, without clamp



ACC 964
Pair of legrests on knee system
in black polyurethane diam
14mm, without clamp



SLFEMIREPOSE
Cover for legrests (ACC964) in
upholstery, the unit



ACC 514-UNIVERSE
Plastic protection cover
for all couches



ACC 54001
Half moon head rest width 60cm
fire retardant M1 class



ACC TETERGO
Ergonomic headrest



ACC URGENCE03-60
Pair of retractable security
side rails for SIMPLEX couch
width 60cm



ACC BARRILITCOM
Pair of retractable
security side rails



ACC 832
Face hole with plug cushion

BASE COLOURS

Fire retardant
upholstery, M2 class

*For the upholstery colours, you can choose between the Ecomax, Classic and Urban range
Be careful ! Classic and Urban colours with extra value*

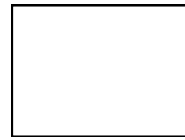
Upholstery: ECOMAX* range



Galapagos



Bahamas



Blanc



Tahiti



Malouines

**Standard colors for ECOMAX and SIMPLEX range,
Classic and Urban colors available on demand*



UPHOLSTERY'S COLOURS

Fire retardant
upholstery, M1 class

*For the upholstery colours, you can choose between the Classic and Urban range
Be careful ! Urban colours with extra value*

Upholstery: Classic range



Upholstery: Urban range





MAINTENANCE GUIDE

DAILY MAINTENANCE

Upholstery: Cleaning with soapy water only (no solvents), can be disinfected with products such as Phagosept Spray, Salvaniol pH10 at 0.75% and Anios Surfaces Hautes, without abrasive material

Base: cleaning with soapy water only (no solvents) without abrasive materials

WARRANTY

Mechanical/ electrical part: 2 years

Upholstery: 1 year



CONTACT

CARINA
Medical

Parc d'entreprises Visionis
278 rue de l'industrie
01090 GUÉREINS- FRANCE
COMMERCIAL SERVICE

Tel : +33(0)4 74 66 69 49
Fax : +33(0)4 74 66 69 50
export@carinamedical.com